



NOOK

SOLO

Construction Guide





Nook Parts and Tools Required

Nook Parts

SHELL

Roof
Side (Long)
Side (Short)
Base
Castors (4of)

DOOR [OPTIONAL]

Door (with Handle)
Door Hinge Panel

REAR WALL [OPTIONAL]

Rear Wall Upper
Rear Wall Lower (with shelf)

INTERIOR

Acoustic Wall Panel
Acoustic Roof Panel (with vents)
Seat Bracket (2of)
Table Leg Assembly (with Fans)
Table Leg Cupboard (with Power)
Table Top
Seat
Seat Cushion
Seat Cushion Wall

GENERAL

Hardware Kit

A minimum of 2 people
required for construction

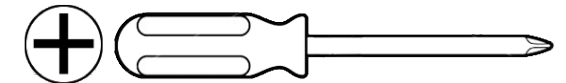


Tools Required

Allen Key 4mm + 5mm



Phillips Screwdriver



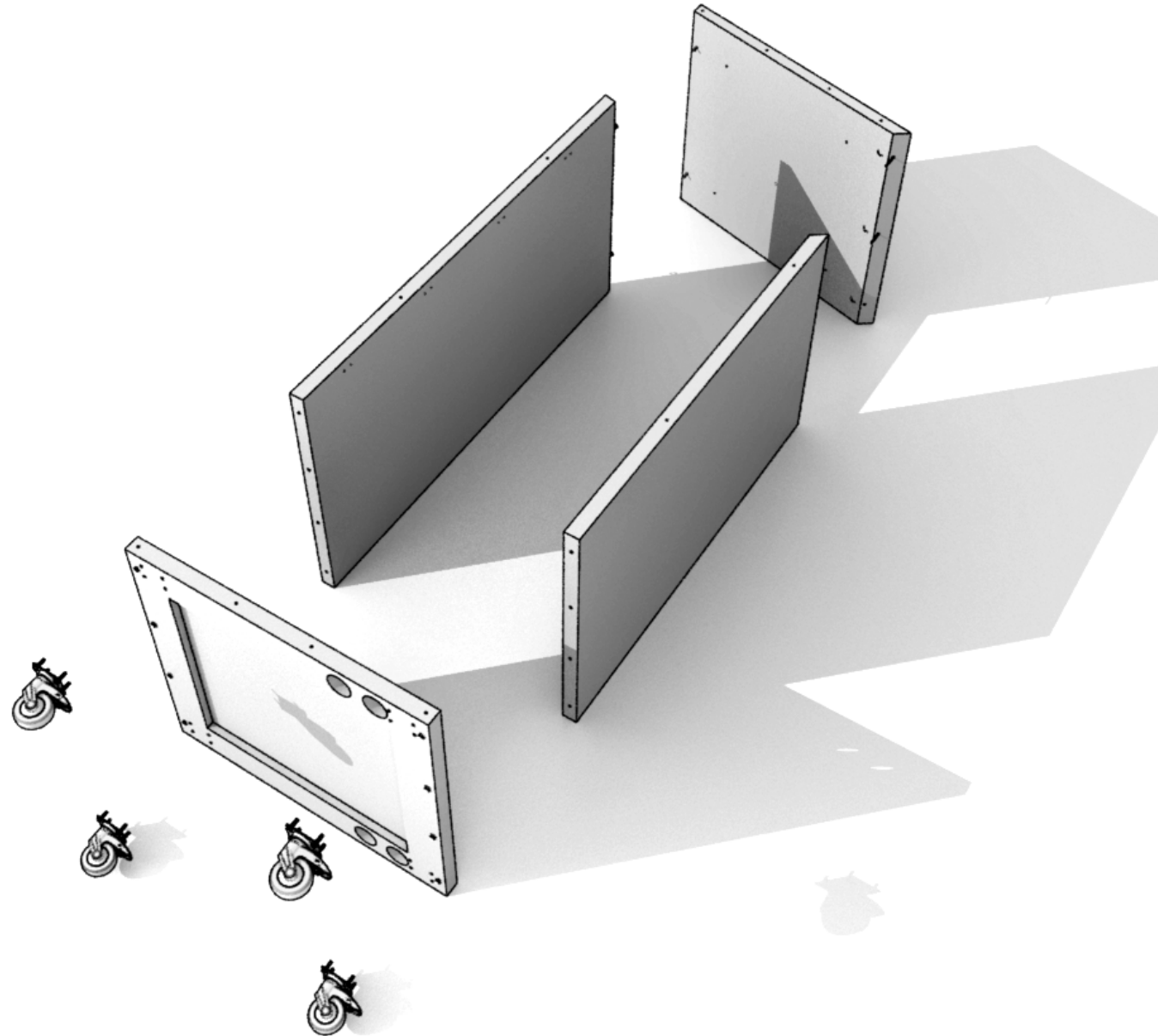
Socket Wrench & 13mm Hex Socket





Step One Exploded View

Assemble frame and castors





Step One

Assemble frame and castors



3x



10x



16x



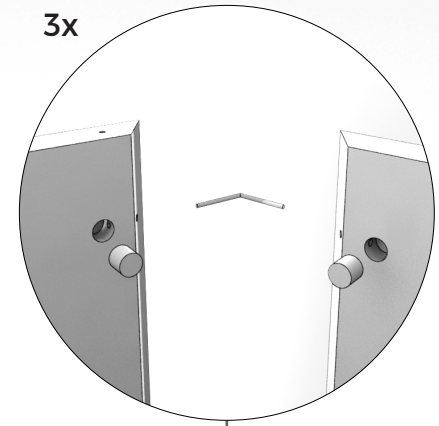
4x



10x



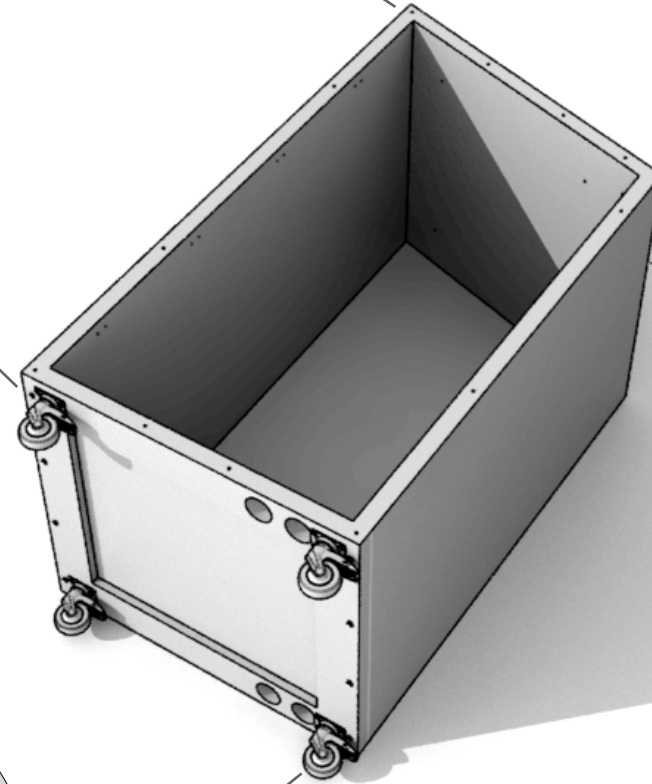
Zip Bolt
Installation
video



3x



4x





Step Two

Install desk



1x



1x



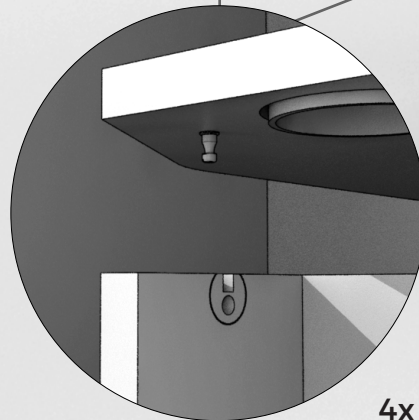
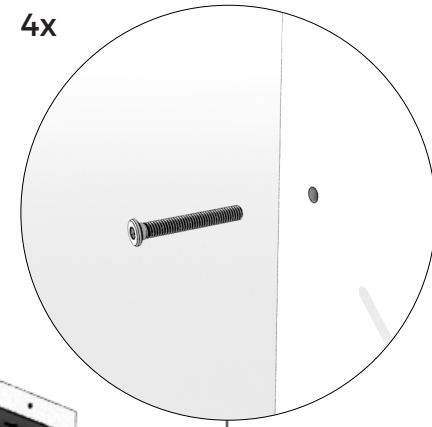
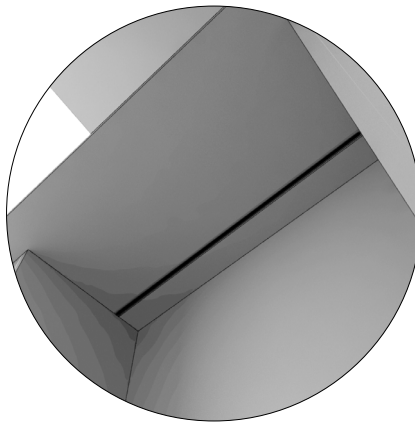
4x



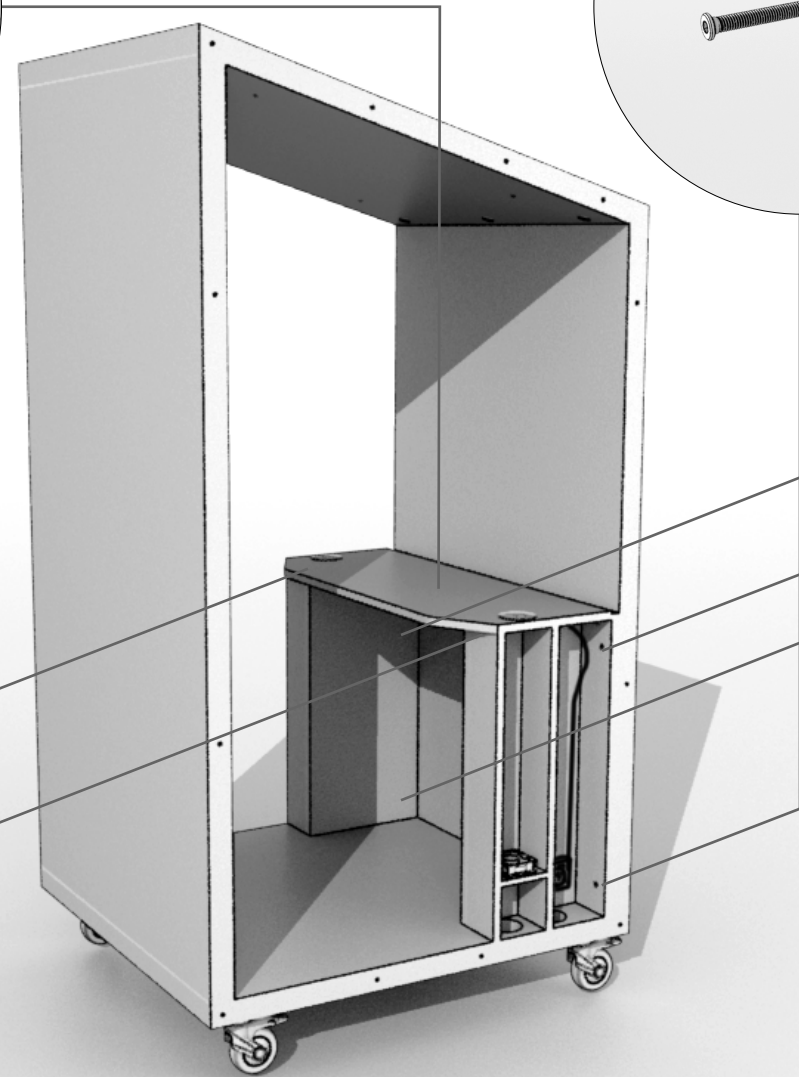
4x

Route cables under desk surface.

4x



4x



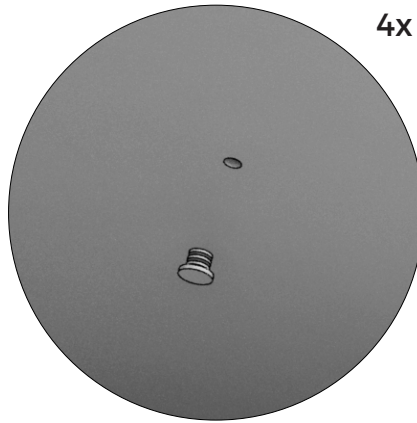


Step Three

Install acoustic panels

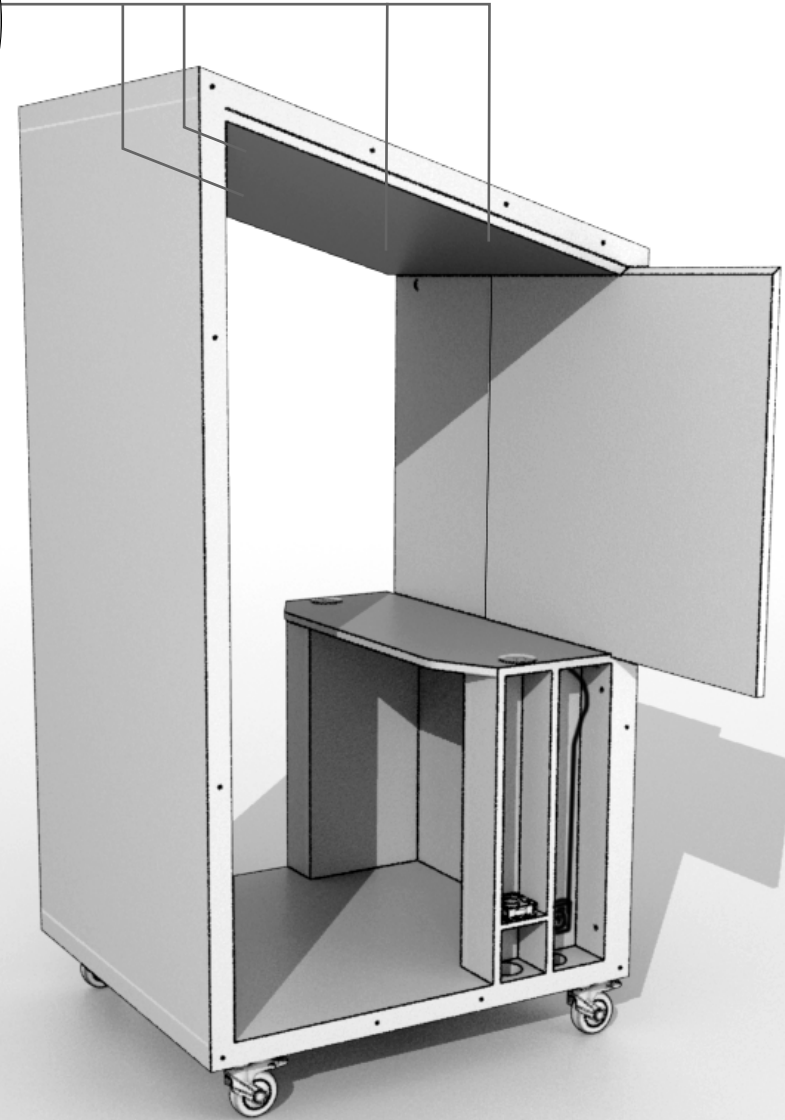


4x



4x

Install upper panel, and then slide in side panel as shown.





Step Four

Install seat



2x



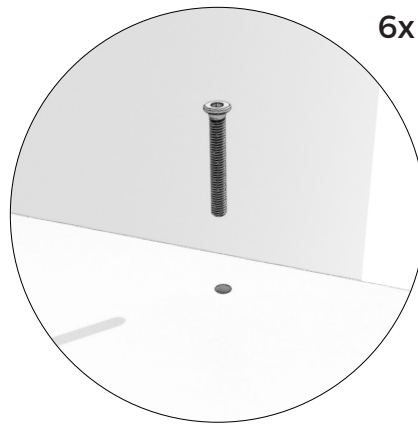
8x



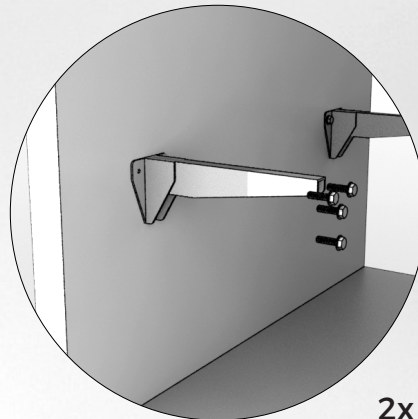
6x



6x



6x



2x





Step Five

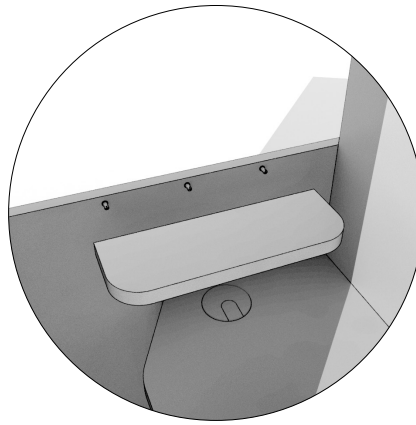
Install back panels



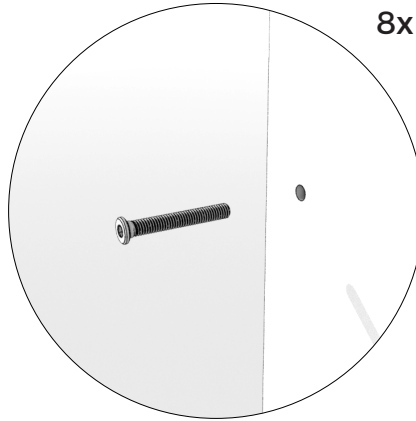
8x



3x



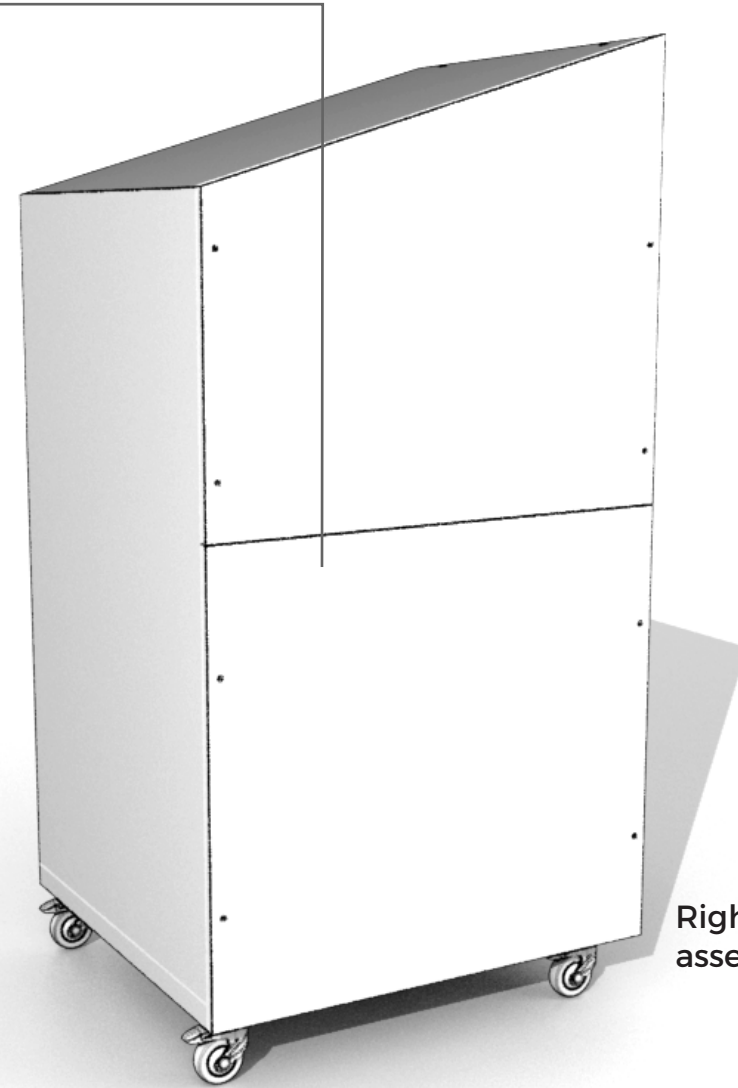
Install shelf on
inside of lower panel
before assembly.



8x



Reverse for left hand assembly



Right hand
assembly shown

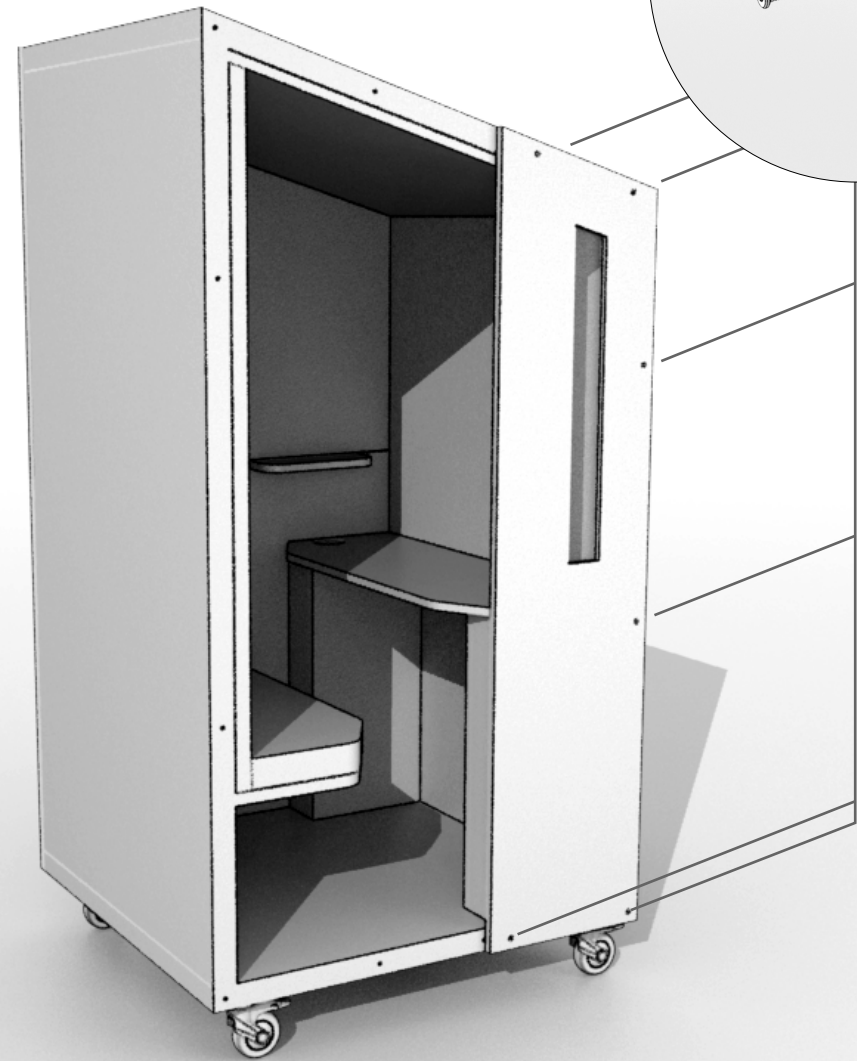


Step Six-A

Install fixed front panel
(if door option not chosen)



6x



6x

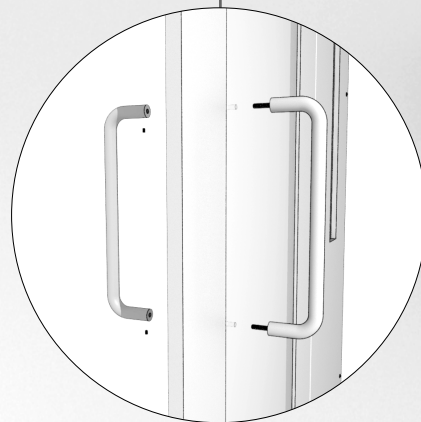


Step Six-B

Install Door
(if door option chosen)



6x



6x

